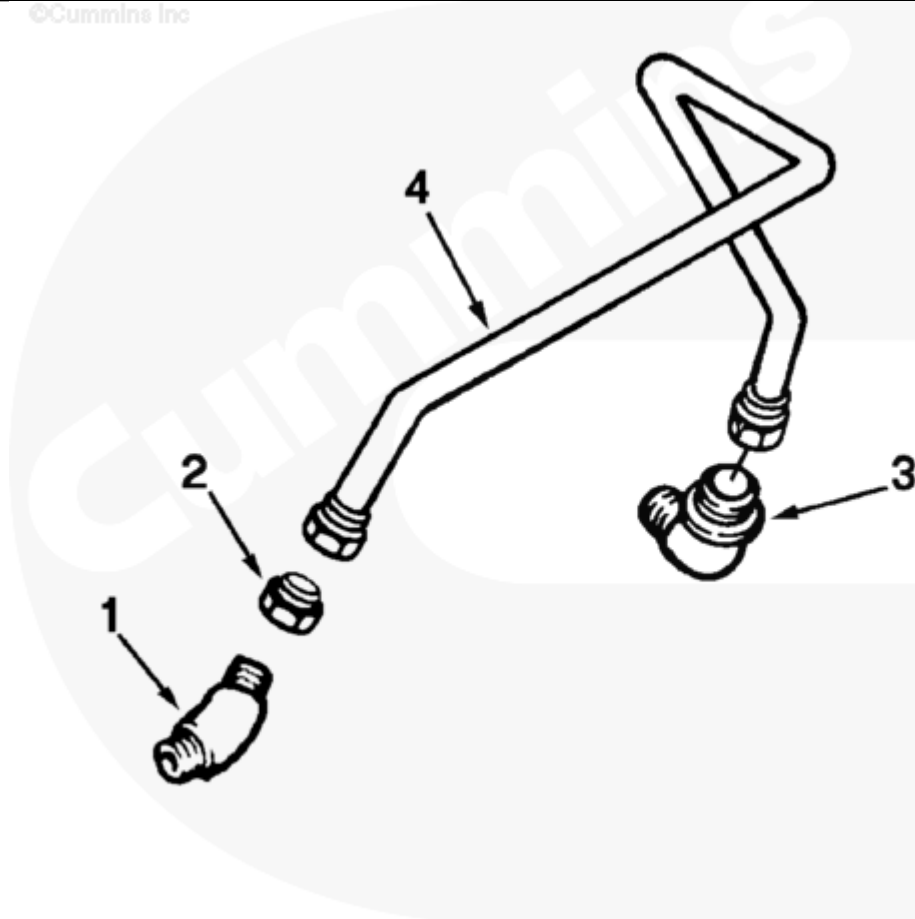




Parts Catalog - Option Detail

Electronic Parts Catalog - Option Detail				
Option	Group	Graphic	Film Card	Date
CD1606	12.01.3	cd101gr	F	15-JAN-91
Engines	NH/NT 855, NT495, NT743, NTA855 N106			

©Cummins Inc



cd101gr

[SMALL](#) | [MEDIUM](#) | [LARGE](#)

Cart	Ref No	Part Number	Part Description	Required	Remarks
View My Cart					
		CD1606	Water Drain Tube		Water outlet tube routes from...(More)
					front of the compressor head,
					travels behind the fan hub
					support and below the fan
					brace to the bypass tube.

					Must use the compressor body
					rear side port water inlet.
					Compatible with Jacobs brake
					and top mount torque
					converter coolers. Clears
					front fuel tubes and brackets
					for Peterbilt, Kenworth and
					GMC.
<input type="checkbox"/>	1	S 1005 A	Male Adapter Elbow	1	
<input type="checkbox"/>	2	187317	Plain Adapter	1	
<input type="checkbox"/>	3	204995	Male Adapter Elbow	1	
<input type="checkbox"/>	4	3032985	Compressor Water Outlet Tube	1	

© 2019 Cummins Inc., Box 3005, Columbus, IN 47202-3005 U.S.A.
Terms of Use and Disclaimers | Recommended System Requirements
Need Assistance? Please click on the Contact Us button in the top right corner of any page.